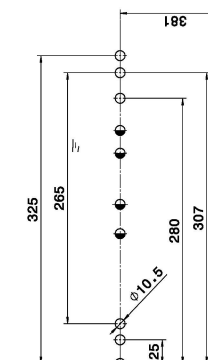
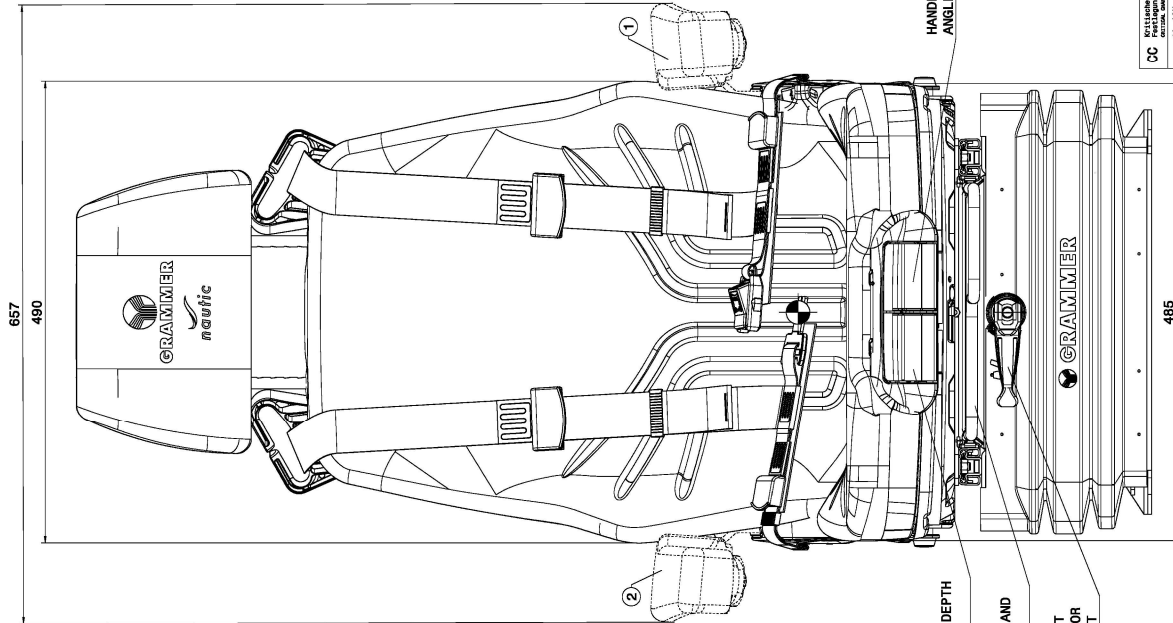
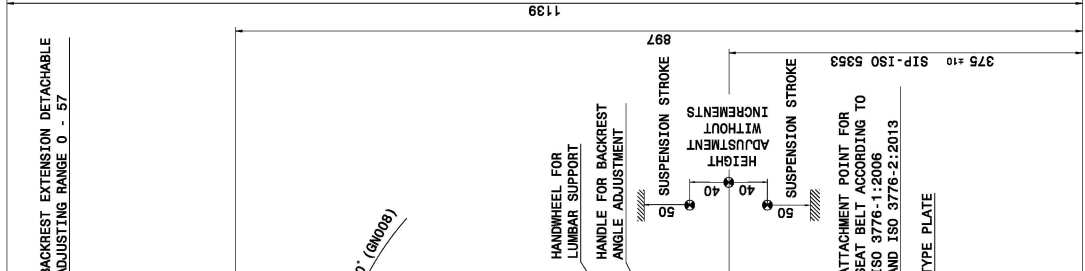
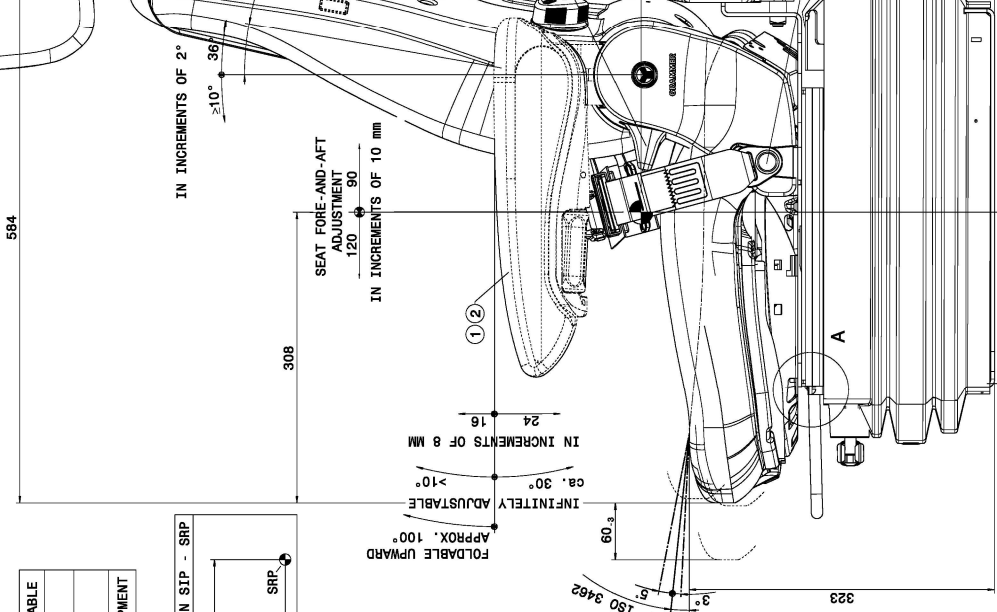
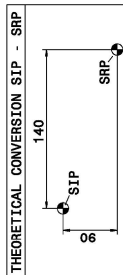


SEQ. NO.	DRIVER SEAT	COVER MATERIAL	1) ARMREST LEFT SIDE	2) ARMREST RIGHT SIDE
1	1374147	PVC BLACK	1026778	1026779
2	1374156	FABRIC AREMA SILVER	1026778	1026779

EXPLANATION OF THE TABLE

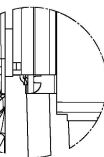
.....	ORDER NUMBER
⊕	ADDITIONAL EQUIPMENT
□	STANDARD EQUIPMENT



⊕ RECOMMENDED MOUNTING HOLES
 ● HOLES FOR ADDITIONAL MOUNTING ONLY

A

1:1



GENERAL SPECIFICATIONS ARE SHOWN ON DRAWING 1368780

CC 01112888 01/2006
 SC 01112888 01/2006

1	1374147	1374147	1374147	1374147
2	1374156	1374156	1374156	1374156

MSB97 / 722 PRO M XT
 MSB97 / 722 PRO M XT

1374148

© GRAMMER